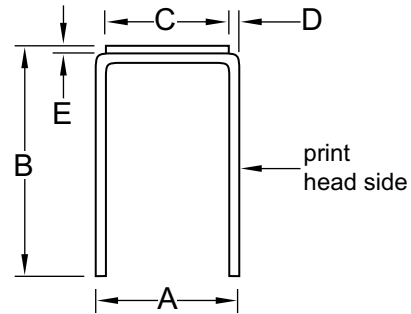


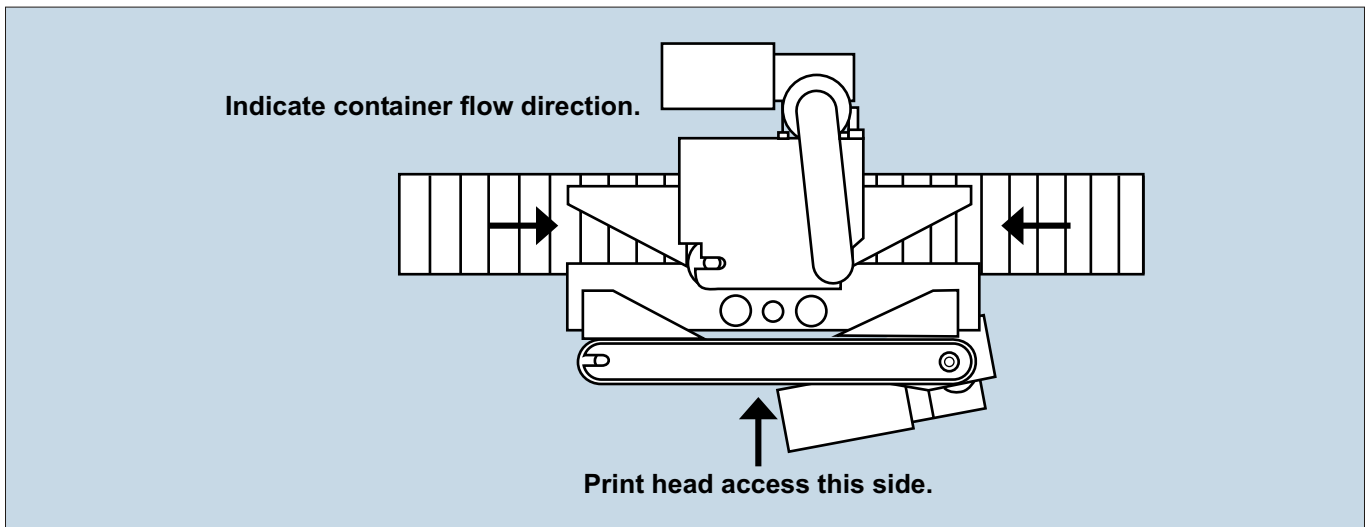
Customer \_\_\_\_\_  
 Contact \_\_\_\_\_  
 Purchase Order Number \_\_\_\_\_  
 Phone Number \_\_\_\_\_

**Conveyor Information**

Outside of frame to outside of frame A = \_\_\_\_\_  
 Top of chain to bottom of frame B = \_\_\_\_\_  
 Width of conveyor belt C = \_\_\_\_\_  
 Outside of frame to edge of belt D = \_\_\_\_\_  
 Thickness of belt E = \_\_\_\_\_  
 Line Speed \_\_\_\_\_ ft/minute  
 Minimum container diameter \_\_\_\_\_  
 Maximum container diameter \_\_\_\_\_  
 Samples available? Yes \_\_\_\_\_ No \_\_\_\_\_  
 Containers per minute \_\_\_\_\_  
 Minimum container height \_\_\_\_\_  
 Maximum container height \_\_\_\_\_



**Provide samples or drawings of non-round containers.**



**Printhead details**

Manufacturer \_\_\_\_\_ Model \_\_\_\_\_

**Voltage Requirements**

Standard 120 VAC - 50/60 Hz or 240 VAC - Single Phase - 50/60 Hz

Other (specify) \_\_\_\_\_